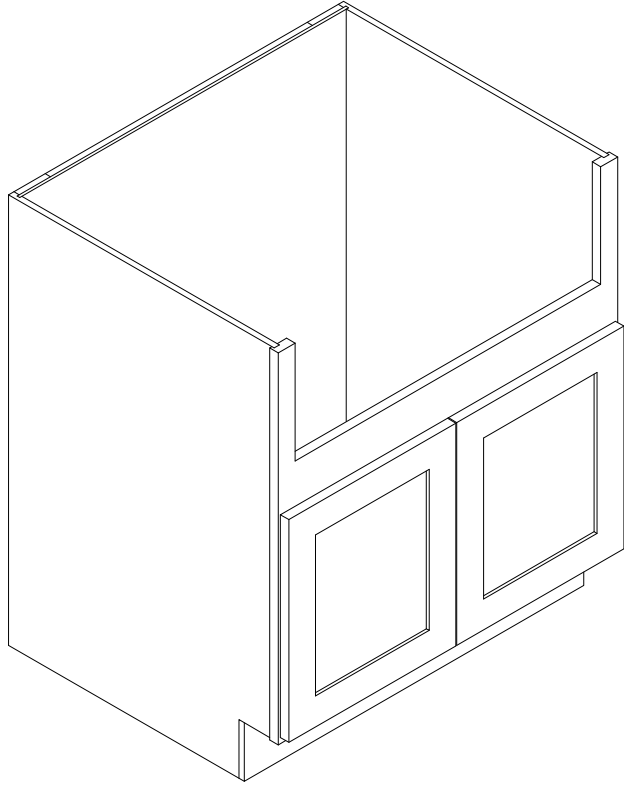


# ASSEMBLY INSTRUCTIONS

## FSB36

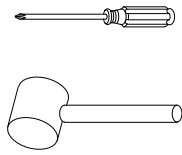


### Parts list

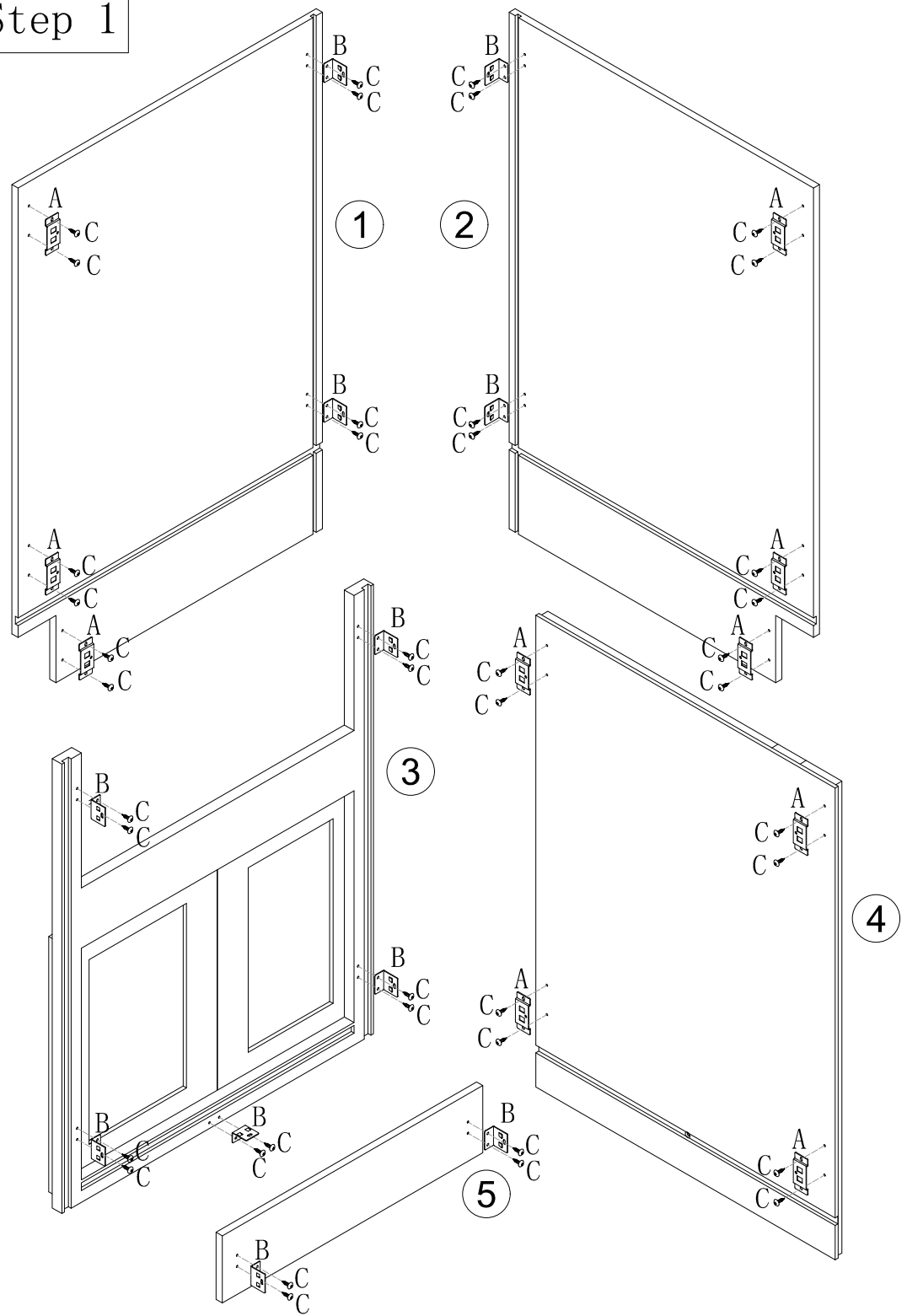
NO.	Parts	QTY
A		11
B		11
C	 (M4*0.47")	55
D	 (T4*0.55")	16
E		4

NO.	Parts	QTY
F	 (T4*0.98")	1

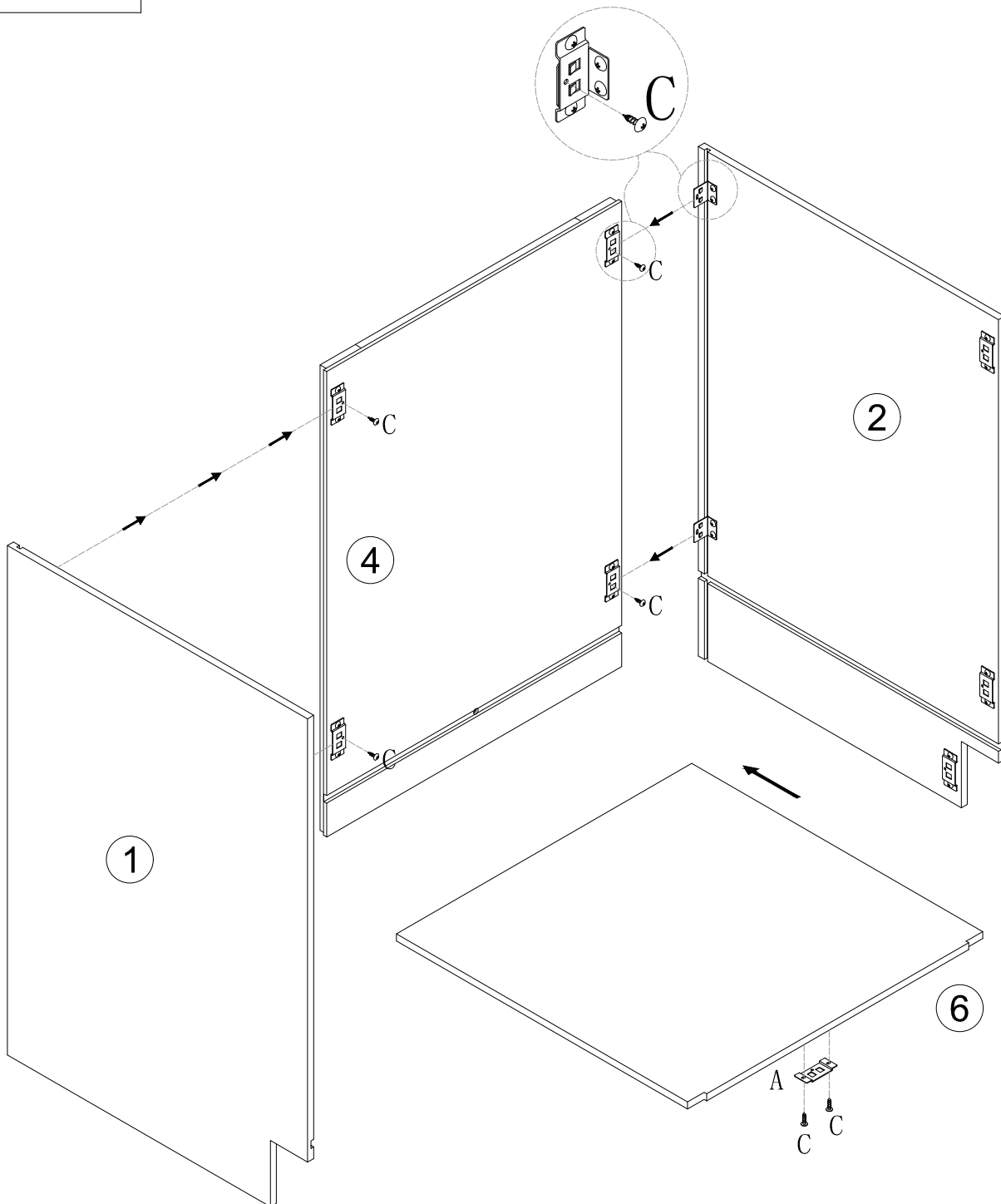
Tools  
(required but not provided)



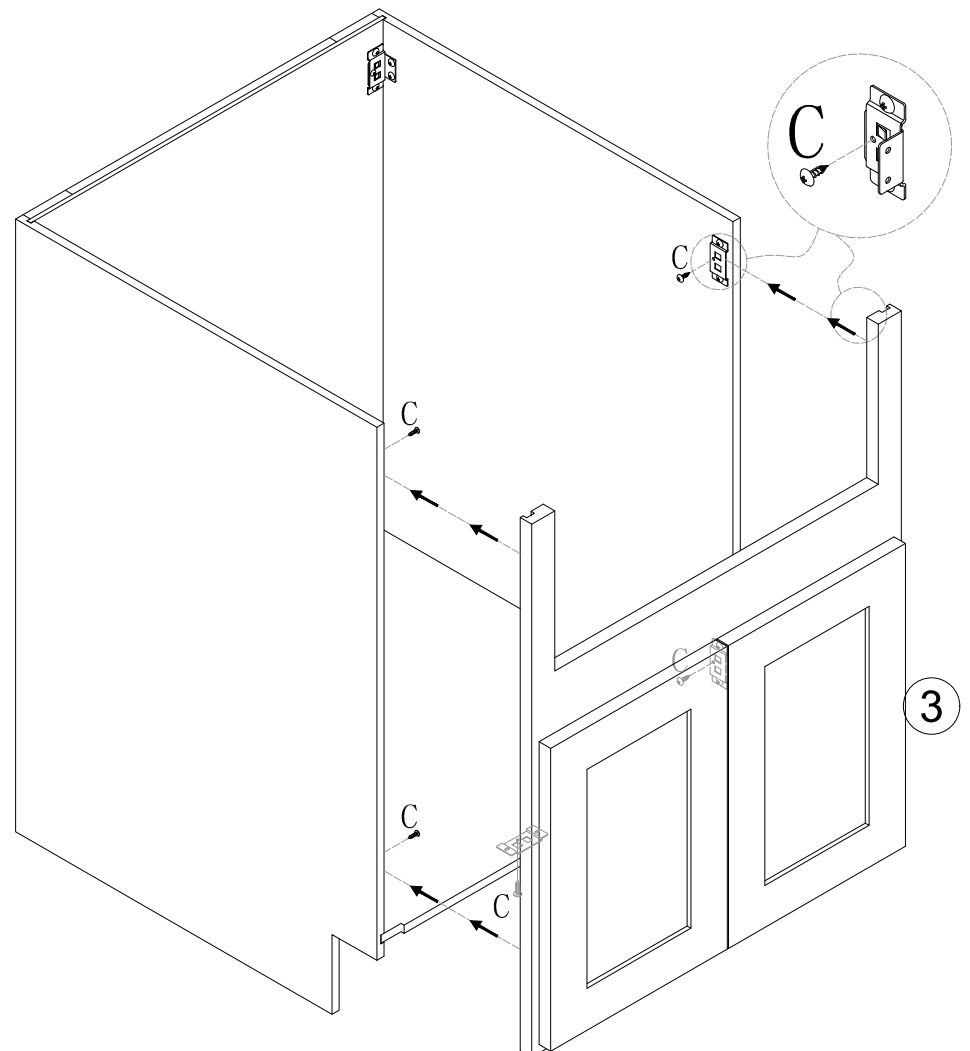
### Step 1



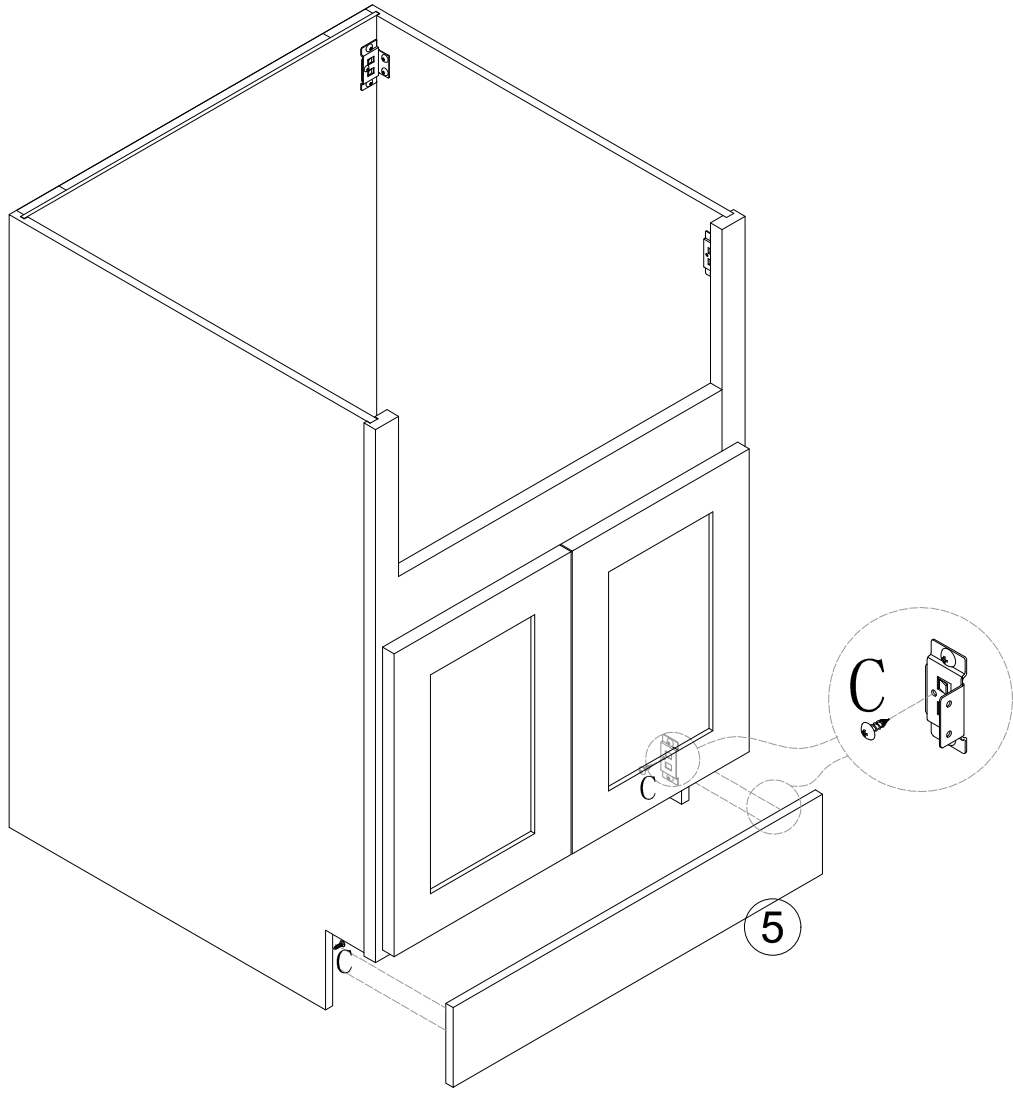
### Step 2



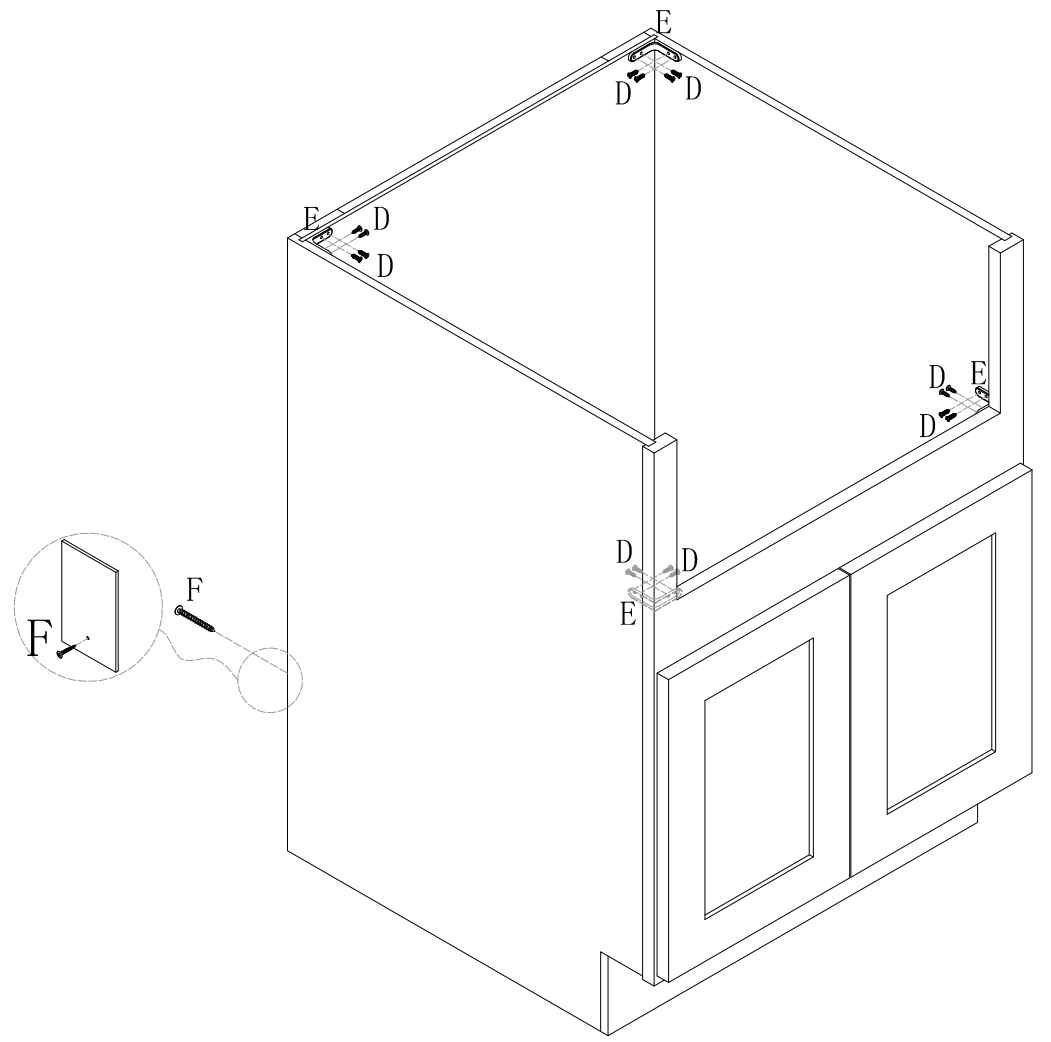
### Step 3



Step 4



Step 5



Finished

